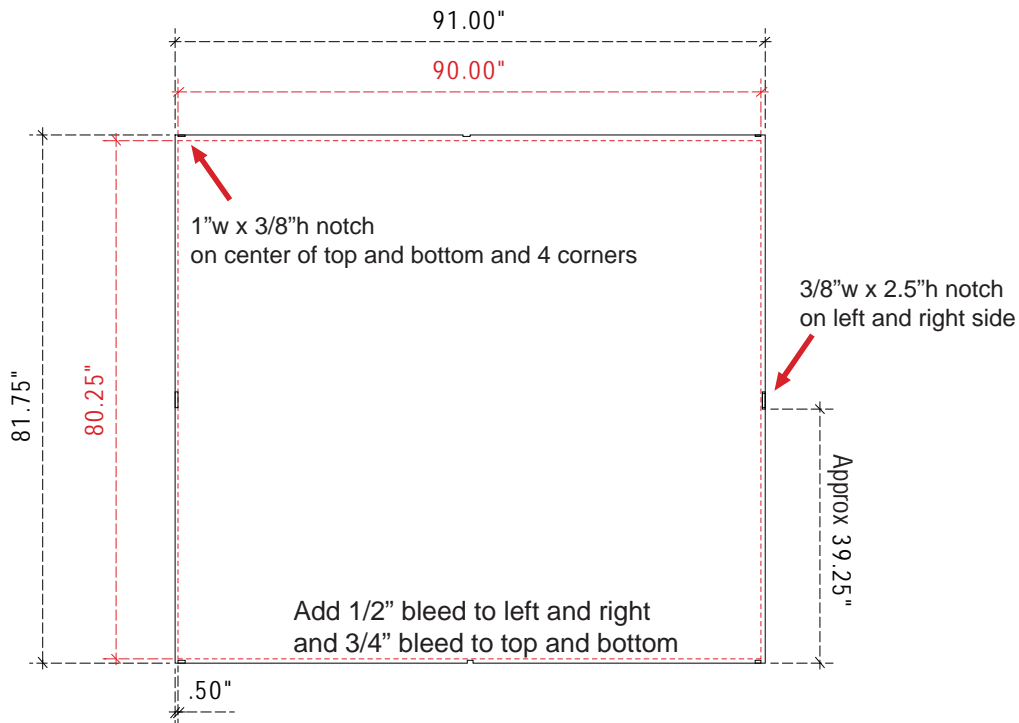


Sacagawea Backwall Graphic Dims - 20ft Version

Product Name: Sacagawea
Process: Colossus 8-Color
Material: Poly Knit 9
Effective Date: 4/1/2010

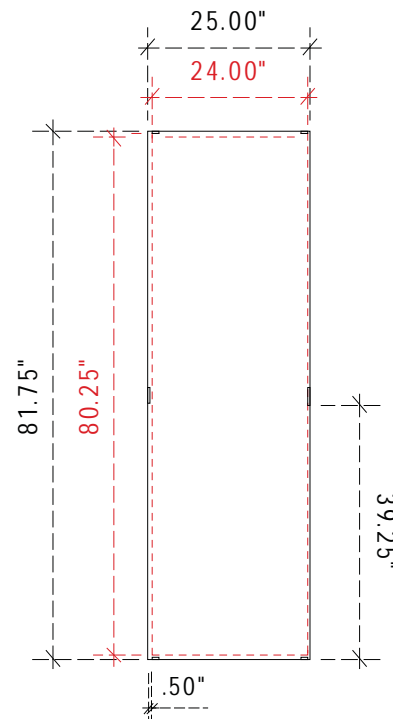
Backwall Tension Fabric Graphic (Included)



Preferred Finished Size: 91" w x 81.75" h  
Preferred Live Area: 90" w x 80.25" h

Sew 1/2" hook Velcro into **front perimeter**

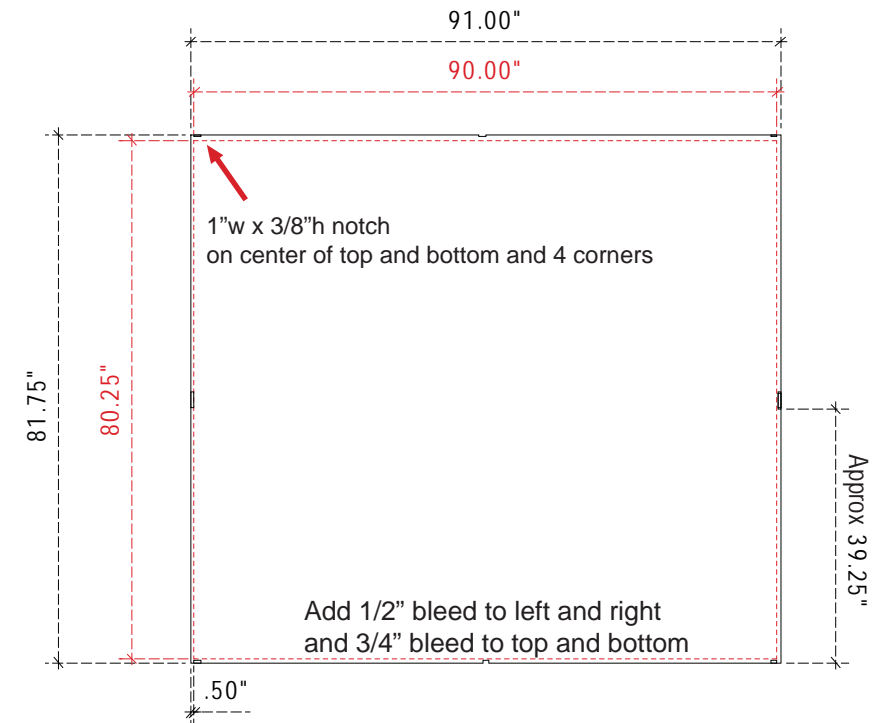
Banner Section Graphic (Included)



Preferred Finished Size: 25" w x 81.75" h  
Preferred Live Area: 24" w x 80.25" h

Sew 1/2" hook Velcro into **front perimeter**

Backwall Large Section Graphic (Included)



Preferred Finished Size: 91" w x 81.75" h  
Preferred Live Area: 90" w x 80.25" h

Sew 1/2" hook Velcro into **front perimeter**

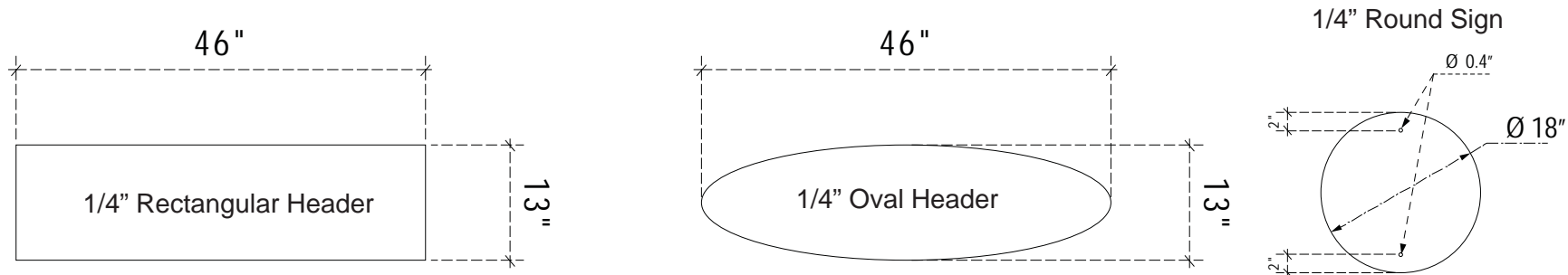
**NOTE:** Graphic files must be @ 150 dpi Finished Size.  
**DO NOT** send Flattened Files. Production can not manipulate the content, proportion or color of these files.

**NOTE:** These dimensions are for graphic layout purposes.  
Graphic needs to be cut and test fitted to Sacagawea frame.

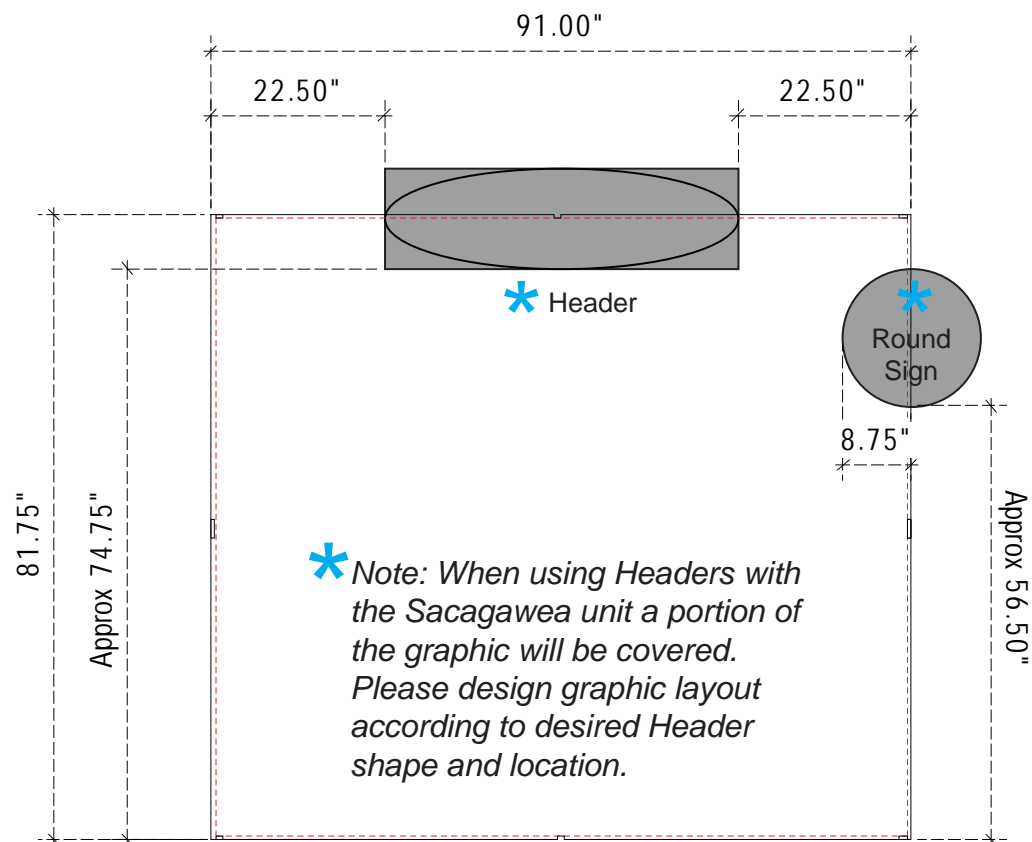


Product Name: Sacagawea
Process: Direct Print
Material: 1/4" Sintra
Effective Date: 4/1/2010

Sacagawea Backwall Header Graphic Dims

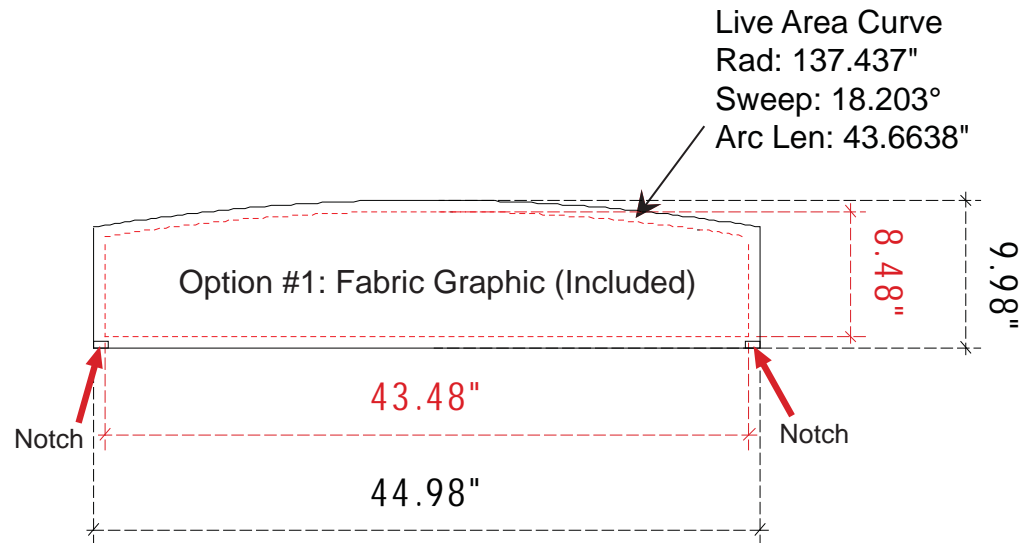


*A small portion of your graphic(s) may be hidden by Sacagawea accessories, such as Headers. Please use these diagrams to position your graphics correctly.*



Product Name: Sacagawea
Process: Colossus 8-Color/ Direct Print
Material: Poly Knit 9/ 1/4" Sintra
Effective Date: 3/19/2010

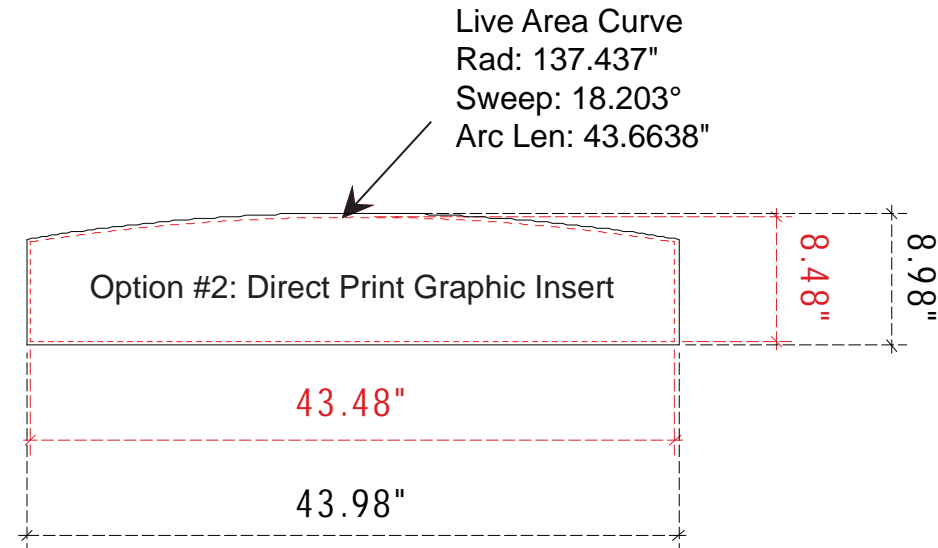
Header Fabric Graphic



Finished Size: 44.98"w x 9.98"h  
Live Area: 43.48"w x 8.48"h

Add 3/4" bleed around perimeter  
Sew 1/2" Velcro into front perimeter

1/4" Direct Print Header Graphic



Finished Size: 43.98"w x 8.98"h  
Live Area: 43.48"w x 8.48"h

Add 1/4" bleed around perimeter

**NOTE:** Graphic files must be @ 150 dpi Finished Size.  
**DO NOT** send Flattened Files. Production can not manipulate  
the content, proportion or color of these files.

**NOTE:** These dimensions are for graphic layout purposes.  
Graphic needs to be cut and test fitted to Sacagawea header frame.

*A small portion of your graphic(s) may be hidden by monitor and counter.  
Please use these diagrams to position your graphics correctly.*

Product Name: Sacagawea

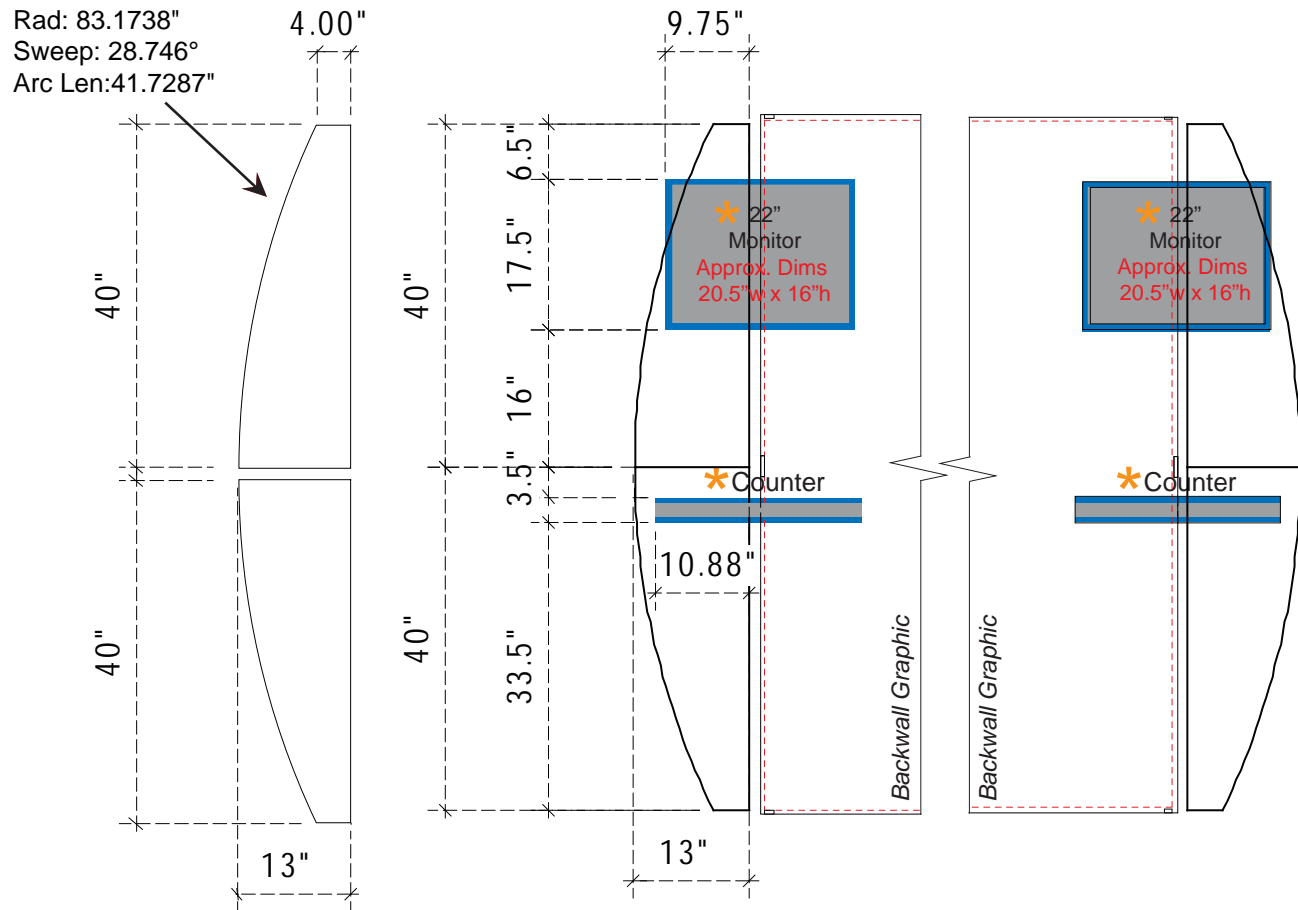
Process: Direct Print

Material: 1/8" Sintra

Effective Date: 05/05/2010

### Convex Wing for T-Series

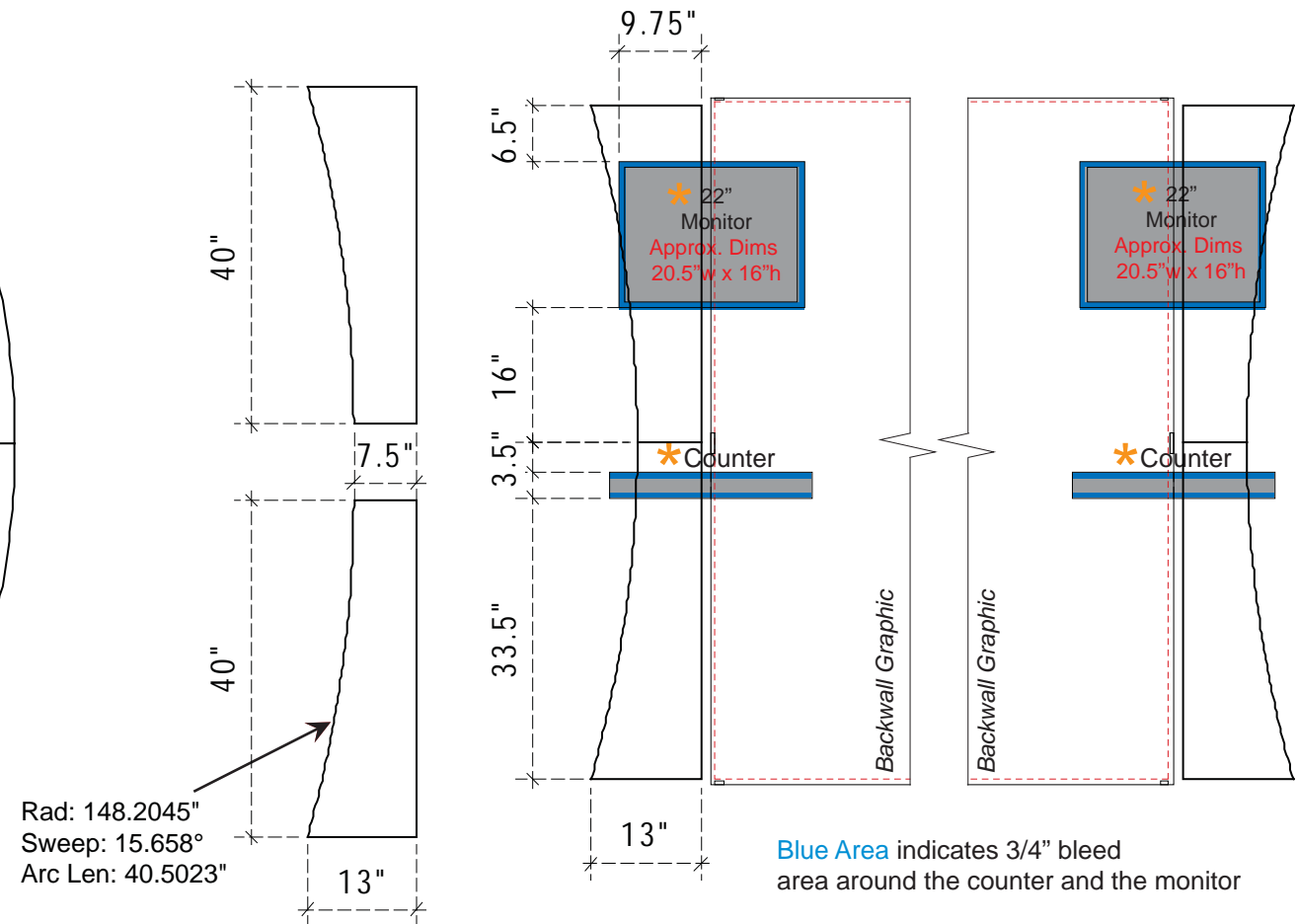
20' Unit includes (2) Bottom Panels and (2) Upper Panels



Blue Area indicates 3/4" bleed area around the counter and the monitor

### Concave Wing for P-Series

20' Unit includes (2) Bottom Panels and (2) Upper Panels

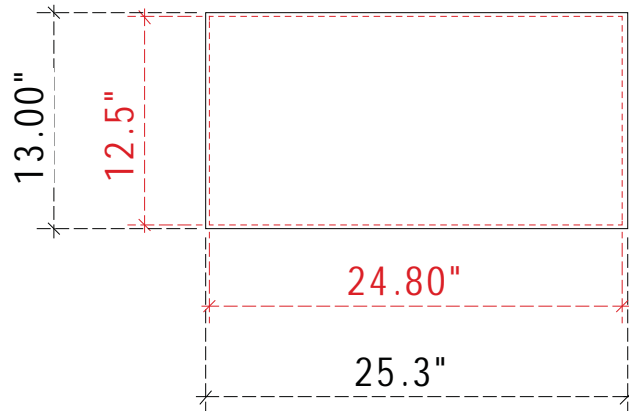


Blue Area indicates 3/4" bleed area around the counter and the monitor

**NOTE: Graphic files must be @ 150 dpi Finished Size.  
DO NOT send Flattened Files. Production can not manipulate  
the content, proportion or color of these files.**

Product Name: Sacagawea
Process: Direct Print
Material: See Below
Effective Date: 3/19/2010

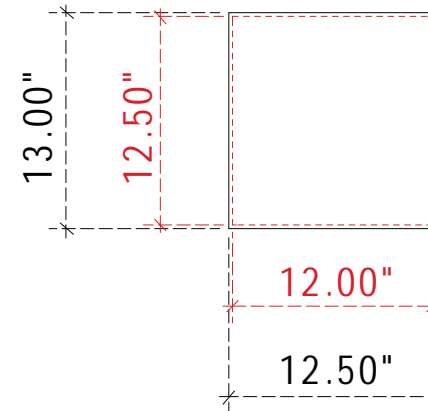
Pedestal Front Insert  
Material: 1/8" Sintra



Finished Size: 25.3"w x 13"h  
Graphic live area: 24.8"w x 12.5"h

Add 1/4" bleed around perimeter

Pedestal Side Insert  
Material: 1/4" Sintra



Finished Size: 12.5"w x 13"h  
Graphic live area: 12"w x 12.5"h

Add 1/4" bleed around perimeter

**NOTE: Graphic files must be @ 150 dpi Finished Size.  
DO NOT send Flattened Files. Production can not manipulate  
the content, proportion or color of these files.**